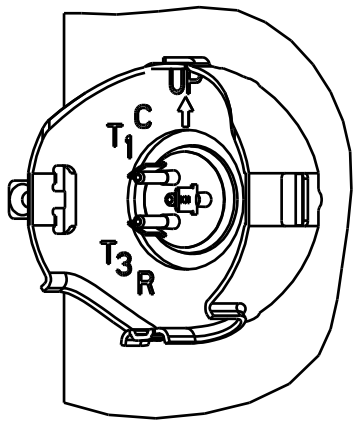
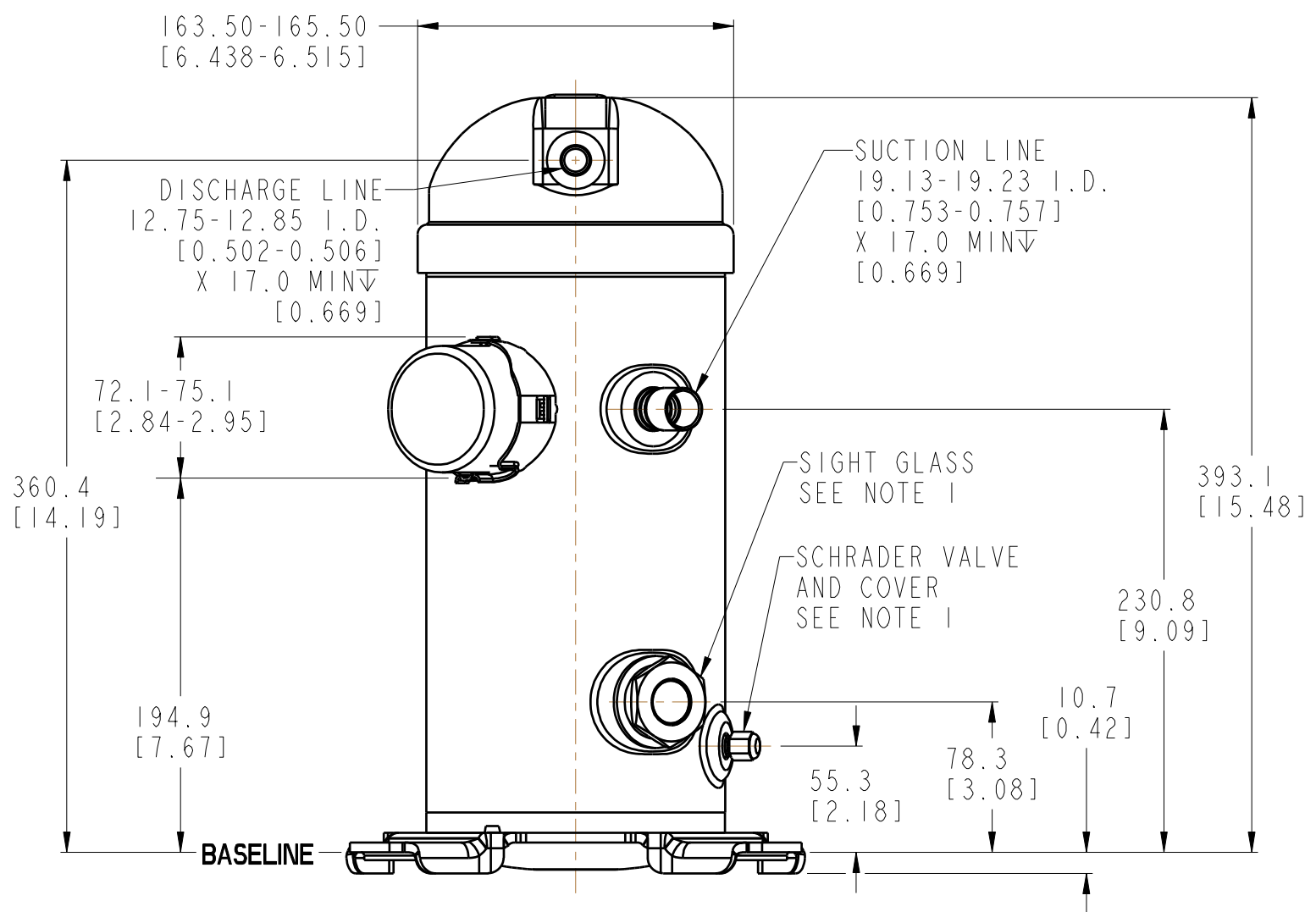
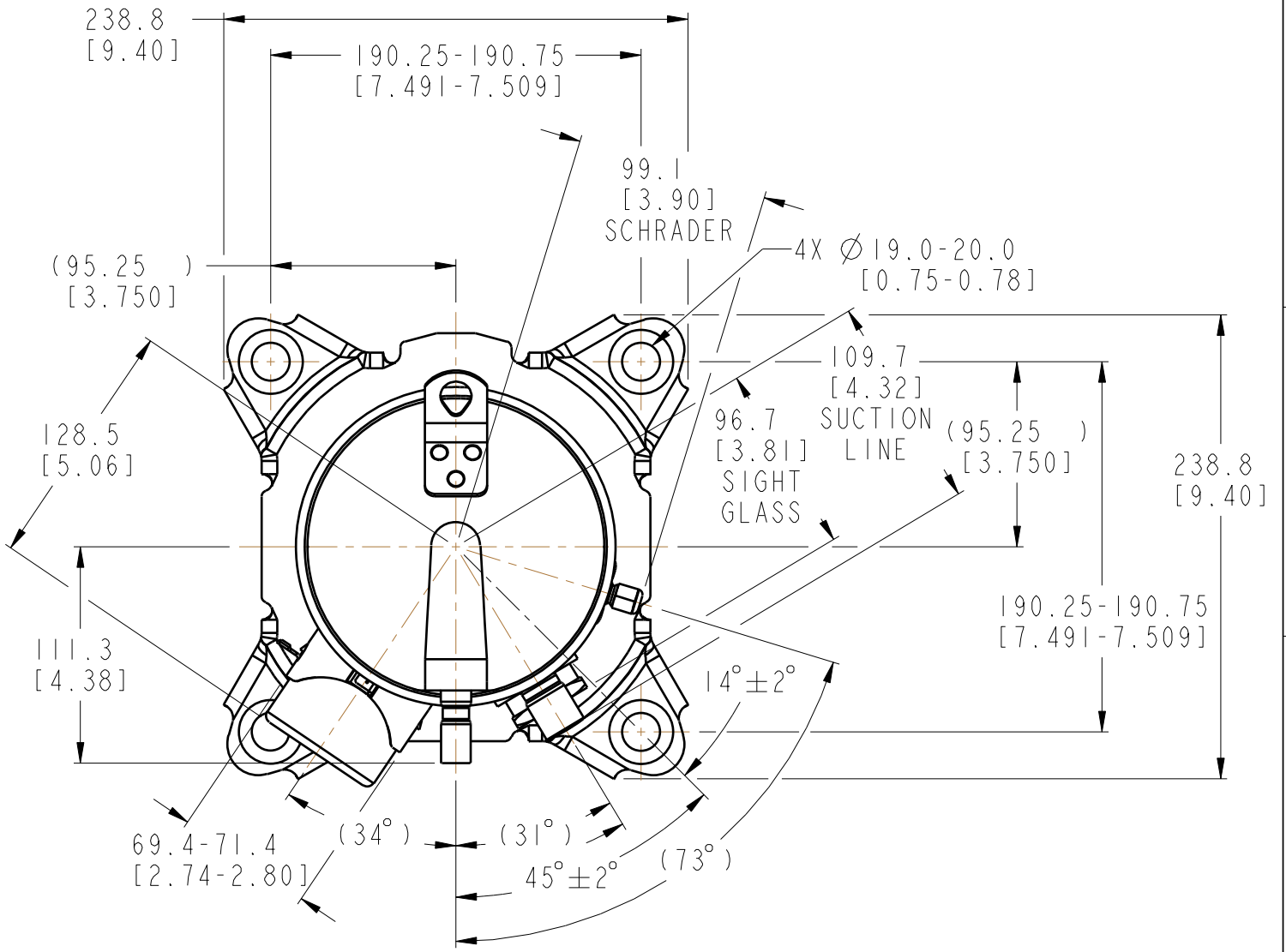


MODEL: MLM/Z015,019,021,026



SCALE 0.500



ATTENTION: THIS DRAWING NOT FOR PRODUCTION USE UNLESS VERIFIED AS VALID IN PRODUCTION CONTROL SYSTEM BY VERSION, AND/OR CHANGE NUMBER.						
38519	1-1	UPDATED FORMAT, RELEASE AS EFFECTIVE TO PRODUCTION	02/10/10	8040-03		
39461	1	RELEASE AS EFFECTIVE TO PRODUCTION	02/19/09	7087-01		
DOC REV	PDM REV	DESCRIPTION OF CHANGES	DATE	DR/PCR/NPCA		
UNLESS OTHERWISE SPECIFIED		PROJECTION	SCALE	SIZE	MATERIAL	
.X = ±3.0	.XXX = ±N/A		0.300	B	DANFOSS STANDARD	
.XX = ±N/A	ANG° = ±N/A					
INTERPRET PER ANSI Y14.5M-1994		TYPICAL SURFACE FINISH				
		3.2				
DIMENSIONS ARE IN MILLIMETERS		Ø DENOTES CRITICAL DIMENSION				
REPLACED	DESIGNED	JEB	02/10/10			DESIGNATION
SURF AREA(m ²)	CHECKED					OUTLINE, COMPRESSOR
MASS(kg)	APPROVED					(MC MEDIUM TEMP)
PRI REFRIG	CONFIDENTIAL: PROPERTY OF DANFOSS COMMERCIAL COMPRESSORS. NOT TO BE HANDED OVER TO, COPIED OR USED BY THIRD PARTY. TWO OR THREE DIMENSIONAL REPRODUCTION OF CONTENTS TO BE AUTHORIZED BY DANFOSS USCCA.			MAT NO		
PRODUCT FAM				DWG NO	OXC6300B	
				REV	38519	
				ECM NO	500000038519	
				SHT	1 of 1	

NOTES:
1. OIL SIGHT GLASS AND SCHRADER VALVE ARE OPTIONAL.