

Installation guide

Thermostatic expansion valves

Type TGE 10, TGE 20 and TGE 40

067R9603

067R9603

Refrigerants:

See product label For all approved list of refrigerants, visit <http://store.danfoss.com/>

Max. working pressure:

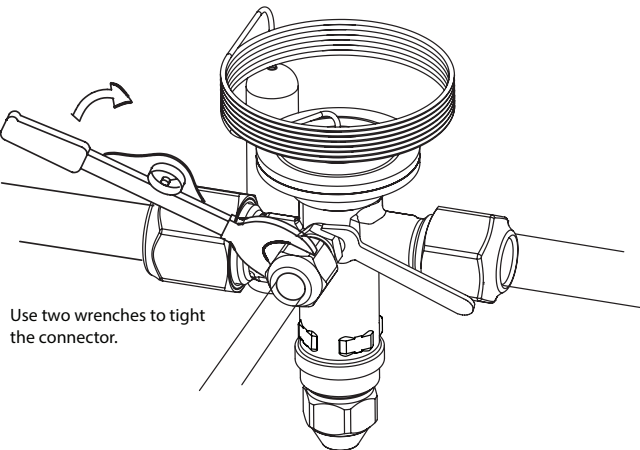
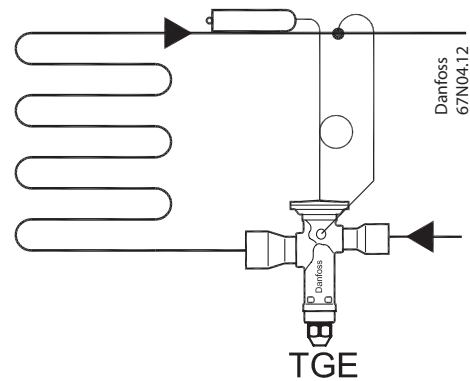
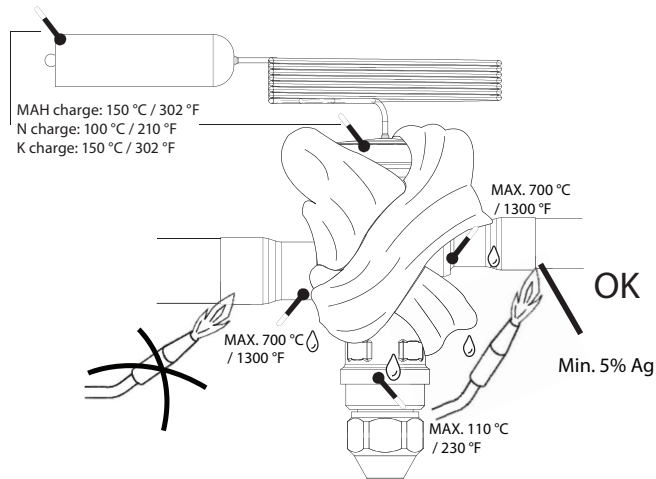
PS/MWP = 49 bar / 711 psig

Max. test pressure:

P_{test} = 54 bar/ 783 psig



Note: Applicable to A1, A2, A2L and A3 refrigerants as accepted by Danfoss, excluding R717 and to non-corrosive gases/liquids dependent on sealing material compatibility. The design pressure shall not be less than the value outlined in section 9.2 of ANSI/ ASHRAE 15 for the refrigerant used in the system.

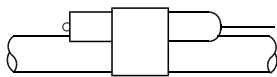


Connections Flare/MIO/ORFS	Max. torque						
	Inlet x Outlet x Equalization		Inlet		Outlet		Equalization
[Inch]	[Nm]	[ft - lbs]	[Nm]	[ft - lbs]	[Nm]	[ft - lbs]	
3/8 x 1/2 x 1/4	40	30	55	40	18**	13**	
1/2 x 5/8 x 1/4	80	59	100	74	18**	13**	
5/8 x 3/4 x 1/4	85	63	110*	81*	18**	13**	

* 70Nm/52ft-lbs when use one wrench to tight

** 10Nm/7ft-lbs when use one wrench to tight

Danfoss
67B22.10



OK

