

FE2owlet

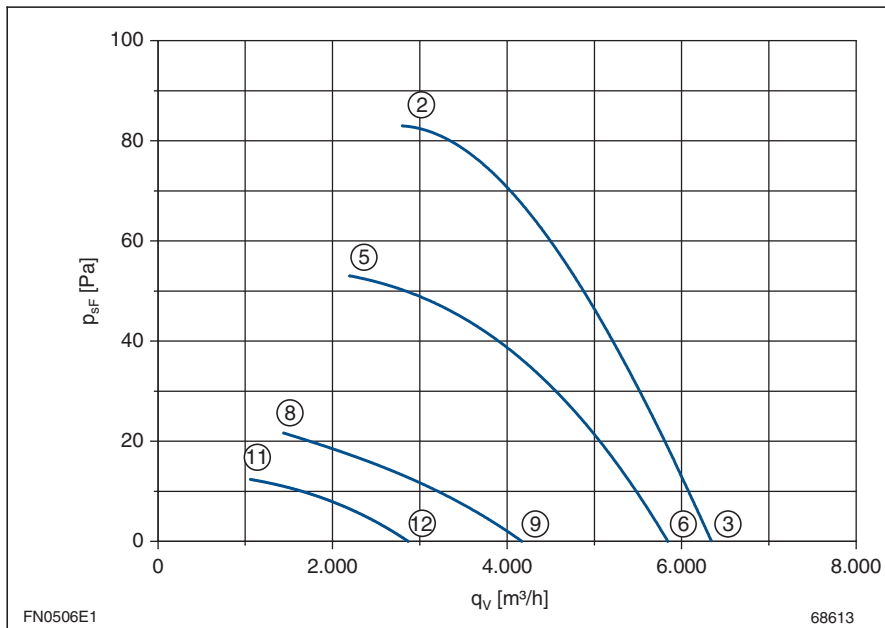
FN050-6E_.4F._7P1

Leistungsdaten Performance data

1~ 230V ±10% 50Hz

| | | |
|------------|-----|-------------------|
| P_1 | 0,3 | kW |
| I | 1,3 | A |
| n | 910 | min ⁻¹ |
| I_A | 2,8 | A |
| ΔI | 10 | % |
| C_{400V} | 10 | µF |
| t_R | 70 | °C |

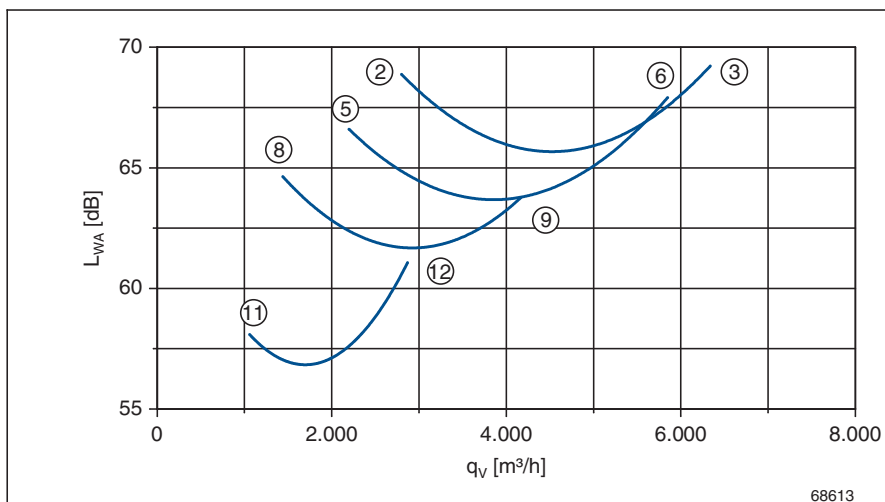
Kennliniendaten Characteristic data



| | U V | I A | P ₁ W | n min ⁻¹ |
|---|--------|--------|---------------------|------------------------|
| ② | 230 | 1,30 | 300 | 910 |
| ③ | | 1,10 | 250 | 940 |
| ⑤ | 170 | 1,40 | 230 | 760 |
| ⑥ | | 1,10 | 190 | 870 |
| ⑧ | 135 | 1,30 | 155 | 450 |
| ⑨ | | 1,25 | 150 | 620 |
| ⑪ | 110 | 1,05 | 100 | 350 |
| ⑫ | | 1,05 | 100 | 430 |

$$p_{d2} = 1,2 \cdot 10^{-6} \cdot q_v^2$$

gemessen in Voldüse ohne
Berührungsschutz in Einbauart A
nach ISO 5801
measured in full bell mouth
without guard grille in
installation type A according
to ISO 5801



FN
050

Maßblatt / Dimension sheet

| Typ Type | Artikel-Nr. Article no. | Bauform Design | Luftförderrichtung Airflow direction | Gewicht Weight | Anschlusschaltbild Connection diagram | Maßblatt Dimension sheet | Seite Page |
|-------------------|----------------------------|-------------------|---|-------------------|--|-----------------------------|---------------|
| FN050-6EA.4F.A7P1 | 140 081 | A | A | 9,7 kg | 104XB | L-KL-2656 | 21 |
| FN050-6EQ.4F.A7P1 | 140 086 | Q | A | 19 kg | 104XB | L-KL-2660 | 22 |
| FN050-6EA.4F.V7P1 | 140 431 | A | V | 9,7 kg | 104XA | L-KL-2657 | 23 |
| FN050-6EK.4F.V7P1 | 140 059 | K | V | 15 kg | 104XA | L-KL-2659 | 24 |
| FN050-6EQ.4F.V7P1 | 140 064 | Q | V | 16 kg | 104XA | L-KL-2661 | 25 |
| FN050-6EF.4F.V7P1 | 140 070 | F* | V | 15 kg | 104XA | L-KL-2662 | 26 |
| FN050-6EF.4F.V7P1 | 140 076 | F** | V | 16 kg | 104XA | L-KL-2658 | 27 |

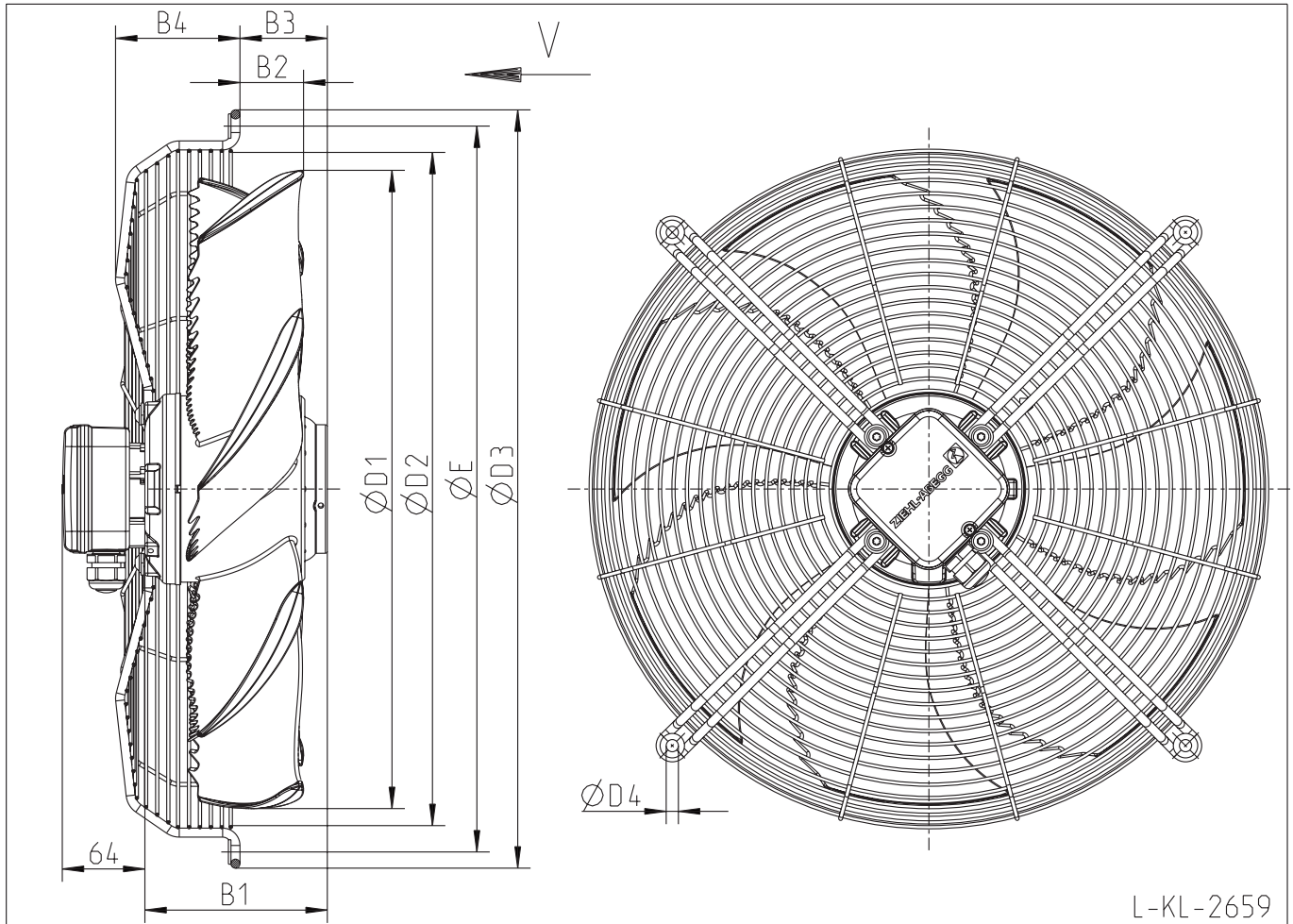
* ohne Berührungsschutz / without guard grille

** mit Berührungsschutz / with guard grille

FN050-__K.4_V7P1

Luftförderrichtung / *airflow direction V*
 Bauform / *design F¹⁾*

mit Berührschutz / *with guard grille*



L-KL-2659

**FN
050**

| Typ Type | Artikel-Nr. Article no. | B1 | B2 | B3 | B4 | D1 | D2 | D3 | D4 | E |
|-------------------|----------------------------|-----|------|----|----|-------|-----|-----|-----|-----|
| FN050-4EK.4I.V7P1 | 140 057 | 162 | 49,5 | 88 | 97 | 497,5 | 524 | 589 | 9,5 | 565 |
| FN050-VDK.4I.V7P1 | 140 056 | 162 | 49,5 | 88 | 97 | 497,5 | 524 | 589 | 9,5 | 565 |
| FN050-6EK.4F.V7P1 | 140 059 | 142 | 49,5 | 68 | 97 | 497,5 | 524 | 589 | 9,5 | 565 |
| FN050-SDK.4F.V7P1 | 140 058 | 142 | 49,5 | 68 | 97 | 497,5 | 524 | 589 | 9,5 | 565 |
| FN050-8EK.4C.V7P1 | 140 061 | 127 | 49,5 | 53 | 97 | 497,5 | 524 | 589 | 9,5 | 565 |
| FN050-ADK.4C.V7P1 | 140 060 | 127 | 49,5 | 53 | 97 | 497,5 | 524 | 589 | 9,5 | 565 |