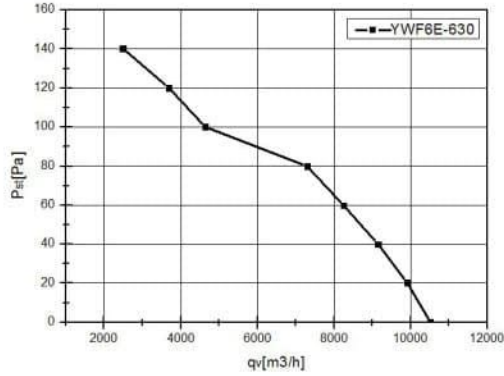


DRAWING NO

FAN CURVE:

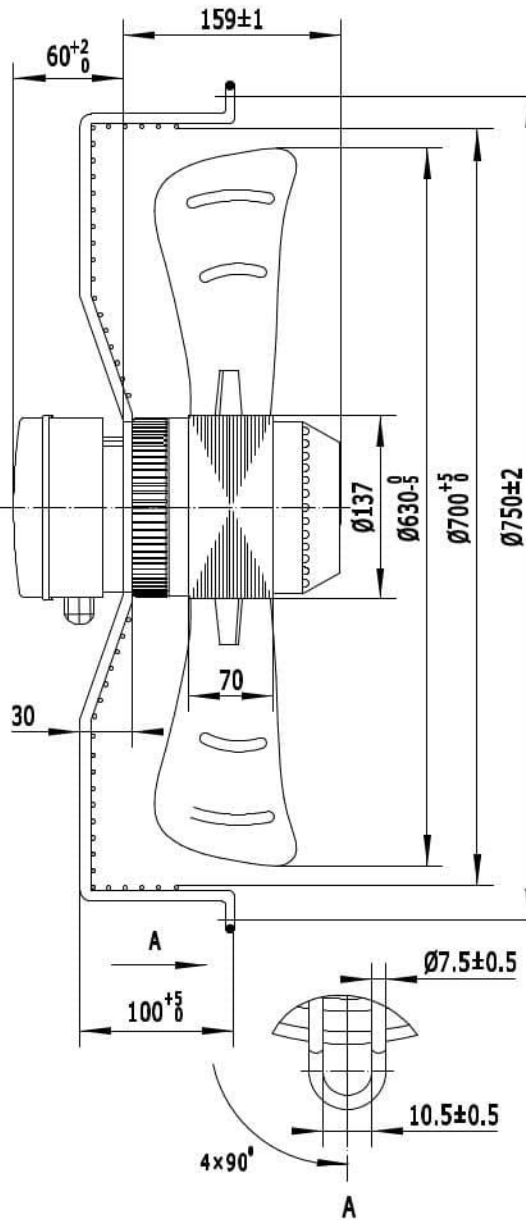
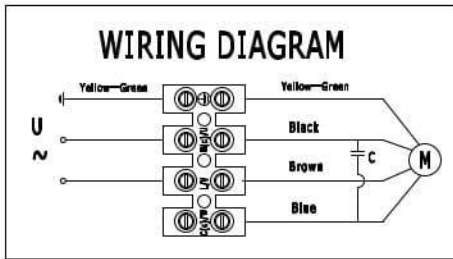


sucking  
Direction of airflow "S"

LABEL:

**WEIGUANG**® Axial Fan Motor  
**YWF6E-630S-137/70-G**  
 220V 50Hz 2.70A 340/550W 900r/min  
 12  $\mu$ F/450V CL.B IP54 XX/XX

Wiring diagrams:



Axial fan motor

HANGZHOU WEIGUANG ELECTRONIC CO.,LTD

Unit: axial fan motor

Type:

Motor: single phase motor with capacitor

Customer:

Motor type: YWF6E-630S-137/70-G

Customer-type:

TYPE	Voltage v	Frequency Hz	Input power W	Current A	Speed r/min +/-5%	Air volume m³/h	noise level dBA	capacitor $\mu$ F/ VDB
YWF6E-630S-137/70-G	220	50	550	2.70	900	9910(20Pa)	71	12 $\mu$ F/450V

Insulation class : B

Operating type: S<sub>1</sub>

Permissible ambient temperature : -30~60°C

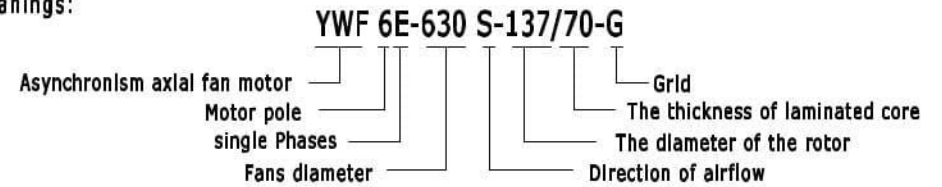
Temperature Increase:  $\Delta T \leq 75k$

Motor protection:thermocontact 135±5°C

Bearings: ball bearings

License: CE CCC

Model meanings:



Electrical connection:lead wire Silikon 4G 0.75mm<sup>2</sup>, Length 100mm in terminal box connected

Direction of rotation: clockwise(sucking), Airflow direction:"S" looking at rotor side

APPROX. WEIGHT

MEANS

REV.	DESCRIPTION	APPROVED	DATE	DECIMAL	TOLERANCE	SIGN	DATE	TITLE
				X	±0.5	DRN.BY		YWF6E-630S-137/70-G
				X.X	±0.25	CHD.BY		
				X.XX	±0.15	ENG.BY		
				ANGLE	±3°	APP.BY		PROJECTION
								A4 SCALE SHEET: of