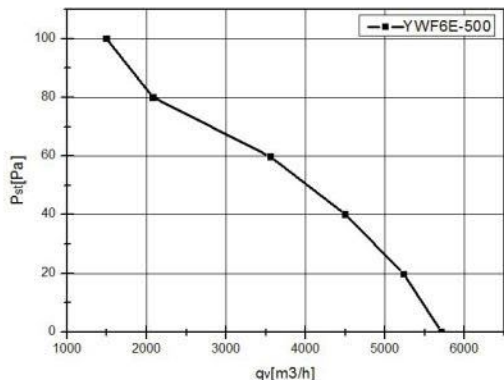


DRAWING NO

FAN CURVE:

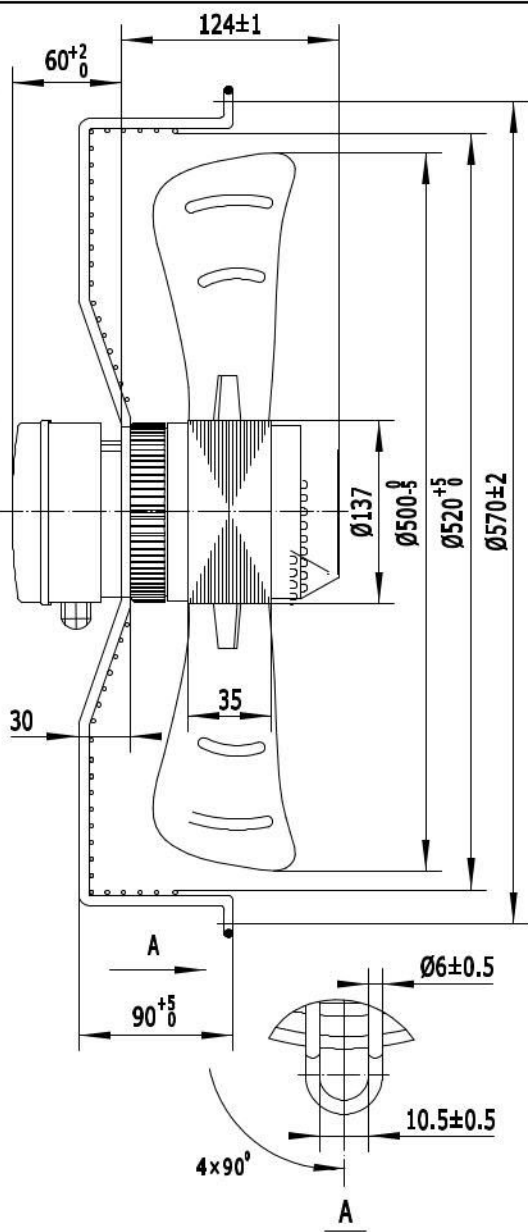
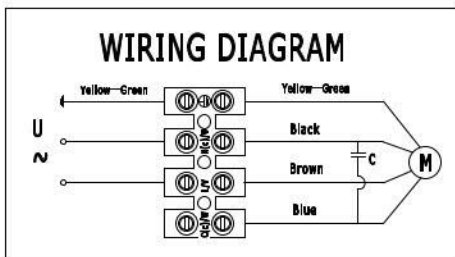


sucking
Direction of airflow "S"

LABEL:

WEIGUANG Axial Fan Motor
YWF6E-500S-137/35-G
 220V 50Hz 1.05A 130/230W 900r/min
 10 μ F/450V CL.B IP54 XX/XX

Wiring diagrams:



AXIAL fan motor

HANGZHOU WEIGUANG ELECTRONIC CO.,LTD

Unit: axial fan motor

Type:

Motor: single phase motor with capacitor

Customer:

Motor type: YWF6E-500S-137/35-G

Customer-type:

TYPE	Voltage v	Frequency Hz	Input power W	Current A	Speed r/min +/-5%	Air volume m³/h	noise level dBA	capacitor μ F/ VDB
YWF6E-500S-137/35-G	220	50	230	1.05	900	5230(20Pa)	66	10 μ F/450V

Insulation class : B

Operating type: S₁

Permissible ambient temperature : -30~60°C

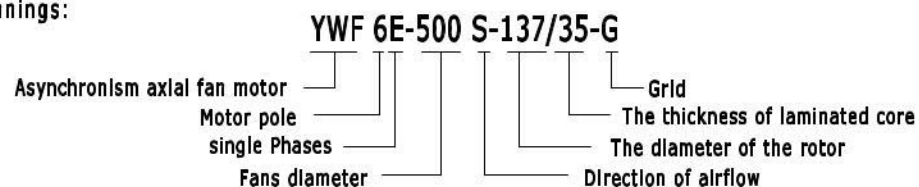
Temperature Increase: ΔT≤75k

Motor protection:thermocontact 135±5°C

Bearings: ball bearings

License: CE CCC

Model meanings:



Electrical connection:lead wire Silikon 4G 0.75mm², Length 100mm in terminal box connected

Direction of rotation: clockwise(sucking), Airflow direction:"S" looking at rotor side

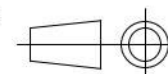
APPROX. WEIGHT

MEANS

REV.	DESCRIPTION	APPROVED	DATE	DECIMAL	TOLERANCE	SIGN	DATE
				X	±0.5	DRN.BY	
				X.X	±0.25	CHD.BY	
				X.XX	±0.15	ENG.BY	
				ANGLE	±3°	APP.BY	

TITLE **YWF6E-500S-137/35-G**

PROJECTION



A4
SCALE
SHEET: of