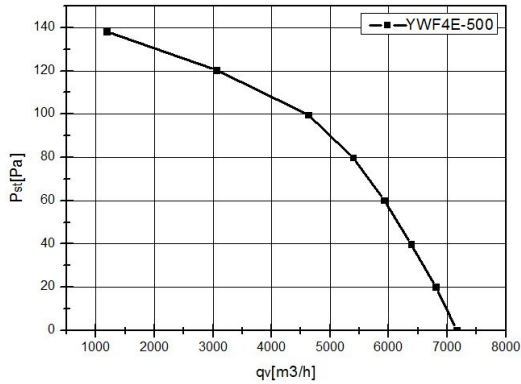


DRAWING NO

FAN CURVE:

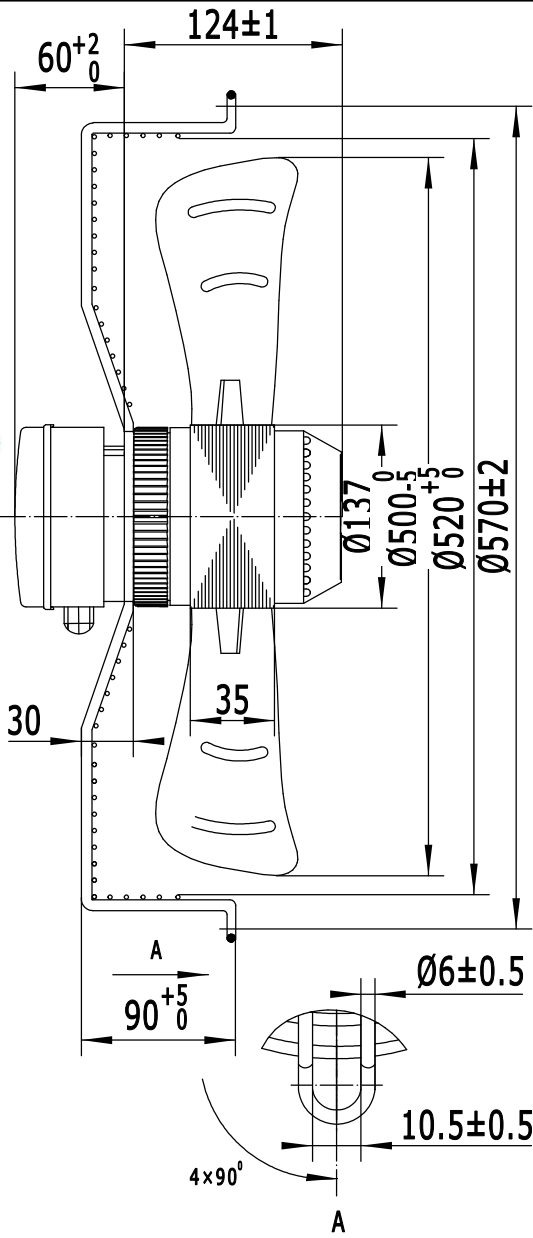
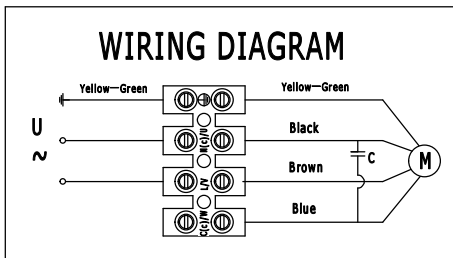


sucking
Direction of airflow "S"

LABEL:

WEIGUANG Axial Fan Motor
YWF4E-500S-137/35-G
 220V 50Hz 1.75A 208/380W
 1320r/min 10 μF/450V CL.B XX/XX

Wiring diagrams:



Axial fan motor

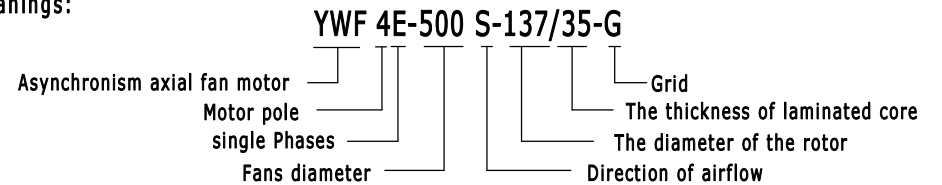
HANGZHOU WEIGUANG ELECTRONIC CO.,LTD

Unit: axial fan motor	Type:
Motor: single phase motor with capacitor	Customer:
Motor type: YWF4E-500S-137/35-G	Customer-type:

TYPE	Voltage v	Frequency Hz	Input power W	Current A	Speed r/min +/-5%	Air volume m³/h	noise level dBA	capacitor μ F/ VDB
YWF4E-500S-137/35-G	220	50	380	1.75	1320	6600(20Pa)	71	10 μ F/450V

Insulation class : B	Operating type: S ₁
Permissible ambient temperature : -30~60℃	Temperature increase: ΔT≤75k
Motor protection:thermocontact 135±5℃	Bearings: ball bearings
	License: CE CCC

Model meanings:



Electrical connection:lead wire Silikon 4G 0.75mm² , Length 100mm in terminal box connected
 Direction of rotation: clockwise(sucking), Airflow direction: "S" looking at rotor side

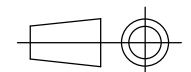
APPROX. WEIGHT

MEANS

REV.	DESCRIPTION	APPROVED	DATE	DECIMAL	TOLERANCE	SIGN	DATE
				X	±0.5	DRN. BY	
				X.X	±0.25	CHD. BY	
				X.XX	±0.15	ENG. BY	
				ANGLE	±3°	APP. BY	

TITLE **YWF4E-500S-137/35-G**

PROJECTION



A4
SCALE
SHEET: of