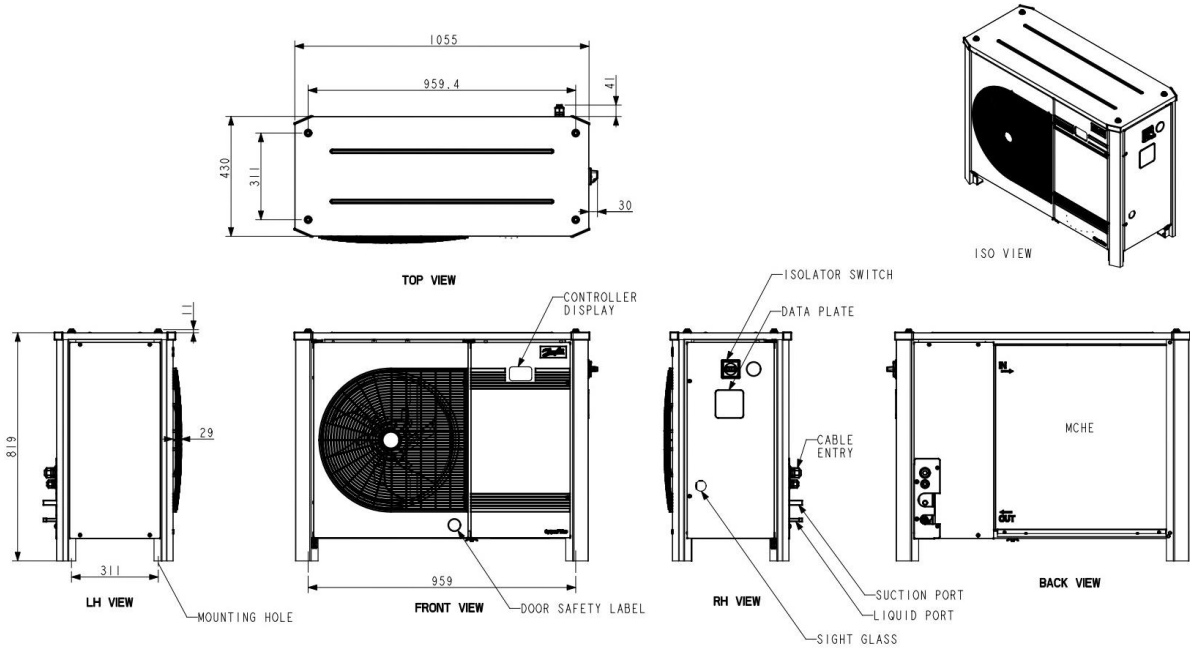




## Danfoss Optyma™ Plus, 114X3249 OP-LPQM068NTP00E

<b>Gross weight</b>	102 Kg	<b>Model number</b>	OP-LPQM068NTP00E
<b>Net weight</b>	80 Kg	<b>No. of phases (compressor)</b>	3
<b>Volume</b>	635.544 Liter	<b>No. of phases (fan)</b>	1
<b>Air flow @ 50Hz [m³/h]</b>	3300 m³/h	<b>Number of fans</b>	1
<b>Applications</b>	LBP	<b>Phase</b>	3
<b>Compressor model</b>	NTZ068-4	<b>Product group</b>	Condensing Units
<b>Compressor power supply [V]</b>	400/3/50	<b>Product Name Description</b>	Package unit
<b>Condenser Coil Internal Volume</b>	0.58 mm³	<b>REACH Candidate List substances</b>	Lead (CAS no. 7439-92-1)
<b>Condenser type</b>	D7	<b>Receiver approval</b>	CE
<b>Connection type</b>	Solder	<b>Receiver volume [L]</b>	3.4 L
<b>Description</b>	OP-LPQM068NTP00E	<b>Refrigerants</b>	R404A
<b>Electrical code</b>	E		R452A
<b>Family</b>	Optyma™ Plus		R507A
<b>Fan blade size [mm]</b>	450 mm	<b>Region</b>	Africa
<b>Fan cowl/grill type</b>	H2		Asia
<b>Fan current @ 50Hz [A]</b>	0.47 A		Europe
<b>Fan diameter [mm]</b>	450 mm		Middle East
<b>Fan power consumption @ 50Hz [W]</b>	110 W		Pacific
<b>Fan power output @ 50Hz [W]</b>	68 W	<b>RLA</b>	6 A
<b>Fan power supply [V/Ph/Hz]</b>	230/1/50	<b>Segment usage</b>	Low Back Pressure
<b>Fan voltage @ 50Hz (max) [V] [Max]</b>	230 V	<b>Sound power @ 50Hz [db(A)]</b>	71 dBA
<b>Fan voltage @ 50Hz (max) [V] [Min]</b>	230 V	<b>Sound pressure level 50Hz (@1 m distance) [db(A)]</b>	60 dBA
<b>Frequency [Hz]</b>	50 Hz	<b>Sound pressure level 50Hz (@10 m distance) [db(A)]</b>	40 dBA
<b>High value of nominal voltage at 50Hz [V]</b>	415 V	<b>Suction connection size [in]</b>	5/8 in
<b>In scope of WEEE and contain batteries</b>	No	<b>Technology</b>	Reciprocating
<b>Length [mm]</b>	430 mm	<b>Total height [mm]</b>	813 mm
<b>Liquid line connection [in]</b>	3/8 in	<b>Type</b>	Optyma™ Plus P00
<b>Low value of nominal voltage at 50Hz [V]</b>	380 V	<b>Version</b>	P00
<b>MCC</b>	8.4 A	<b>Voltage 50Hz [V]</b>	380 V
<b>Min fuse rating [A]</b>	10 A	<b>Voltage 50Hz [V] [Max]</b>	415 V
		<b>Width [mm]</b>	1055 mm

## DIMENSIONS



## Performance data R404A/R507 LBP

Model	Code	version	Refrigerant group	electrical code (1)	tamb [°C]	Cooling capacity Q [kW] (2)							EcoDesign (3)		Min Fuse rating gL/μG(A)	Sound press. level 10m dB(A)
						Evaporating Temperature (Mid point) [°C]							COP	SEPR		
						-40°C	-35°C	-30°C	-25°C	-20°C	-15°C	-10°C				
OP-LPQM068NT	114X3249	P00	A1	E	27	1.38	1.88	2.47	3.13	3.88	4.7	-	1.16	-	10	40
					32	1.19	1.65	2.18	2.79	3.48	4.23	-				
					38	0.99	1.39	1.87	2.4	3.01	3.68	-				
					43	0.83	1.2	1.62	2.1	2.64	-	-				