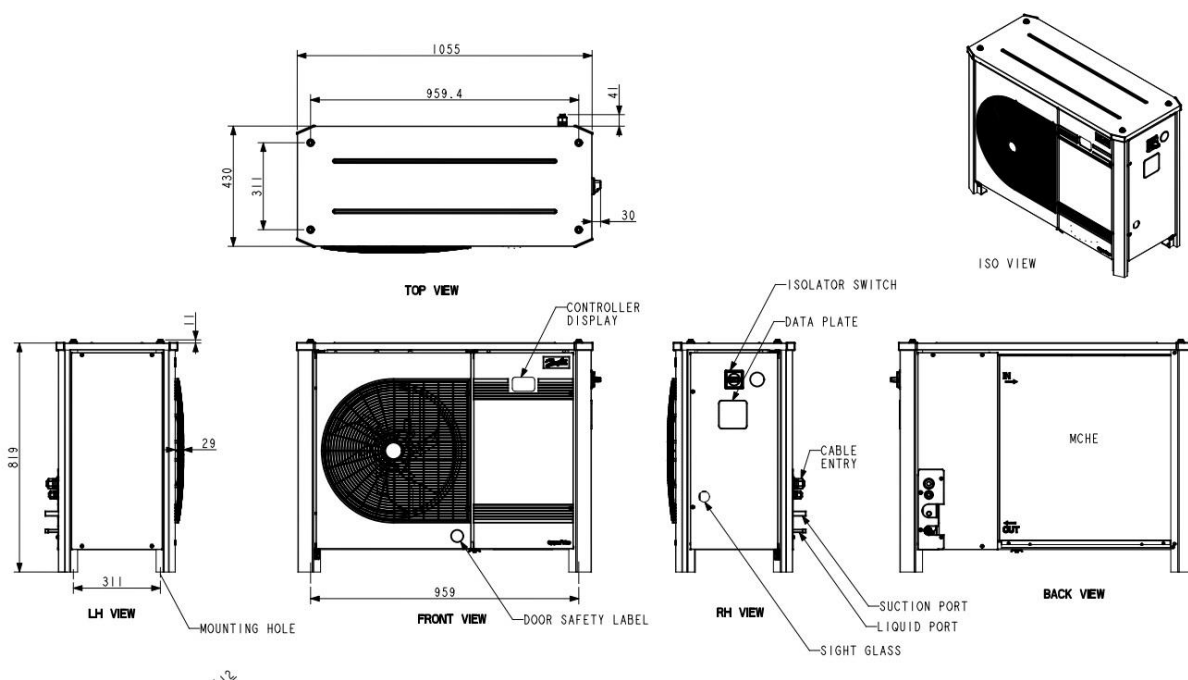




Danfoss Optyma™ Plus, 114X3233 OP-LPQM048NTP00E

Gross weight	102 Kg	Model number	OP-LPQM048NTP00E
Net weight	80 Kg	No. of phases (compressor)	3
Volume	628.992 Liter	No. of phases (fan)	1
Air flow @ 50Hz [m³/h]	3300 m³/h	Number of fans	1
Applications	LBP	Phase	3
Compressor model	NTZ048-4	Product group	Condensing Units
Compressor power supply [V]	400/3/50	Product Name Description	Package unit
Condenser Coil Internal Volume	0.58 mm³	REACH Candidate List substances	Lead (CAS no. 7439-92-1)
Condenser type	D7	Receiver approval	CE
Connection type	Solder	Receiver volume [L]	3.4 L
Description	OP-LPQM048NTP00E	Refrigerants	R404A R452A R507A
Electrical code	E	Region	Africa Asia Europe Middle East Pacific
Family	Optyma™ Plus	RLA	3.4 A
Fan blade size [mm]	450 mm	Segment usage	Low Back Pressure
Fan cowl/grill type	H2	Sound power @ 50Hz [db(A)]	70 dBA
Fan current @ 50Hz [A]	0.47 A	Sound pressure level 50Hz (@1 m distance) [db(A)]	59 dBA
Fan diameter [mm]	450 mm	Sound pressure level 50Hz (@10 m distance) [db(A)]	39 dBA
Fan power consumption @ 50Hz [W]	110 W	Suction connection size [in]	5/8 in
Fan power output @ 50Hz [W]	68 W	Technology	Reciprocating
Fan power supply [V/Ph/Hz]	230/1/50	Total height [mm]	813 mm
Fan voltage @ 50Hz (max) [V] [Max]	230 V	Type	Optyma™ Plus P00
Fan voltage @ 50Hz (max) [V] [Min]	230 V	Version	P00
Frequency [Hz]	50 Hz	Voltage 50Hz [V]	380 V
High value of nominal voltage at 50Hz [V]	415 V	Voltage 50Hz [V] [Max]	415 V
In scope of WEEE and contain batteries	No	Width [mm]	1055 mm
Length [mm]	430 mm		
Liquid line connection [in]	3/8 in		
Low value of nominal voltage at 50Hz [V]	380 V		
MCC	4.8 A		
Min fuse rating [A]	6 A		

DIMENSIONS



Performance data R404A/R507 LBP

Model	Code	version	Refrigerant group	electrical code (1)	tamb [°C]	Cooling capacity Q [KW] (2)							EcoDesign (3)		Min Fuse rating gL/gG(A)	Sound press. level 10m dB(A)
						Evaporating Temperature (Mid point) [°C]							COP	SEPR		
						-40°C	-35°C	-30°C	-25°C	-20°C	-15°C	-10°C				
OP-LPQM048NT	114X3225	P00	A1	E	27	0.8	1.16	1.6	2.1	2.68	3.31	-	1.14	-	6	39
					32	0.68	1.02	1.41	1.88	2.4	2.99	-				
					38	0.55	0.85	1.2	1.61	2.07	2.6	-				
					43	0.44	0.71	1.02	1.38	1.8	-	-				