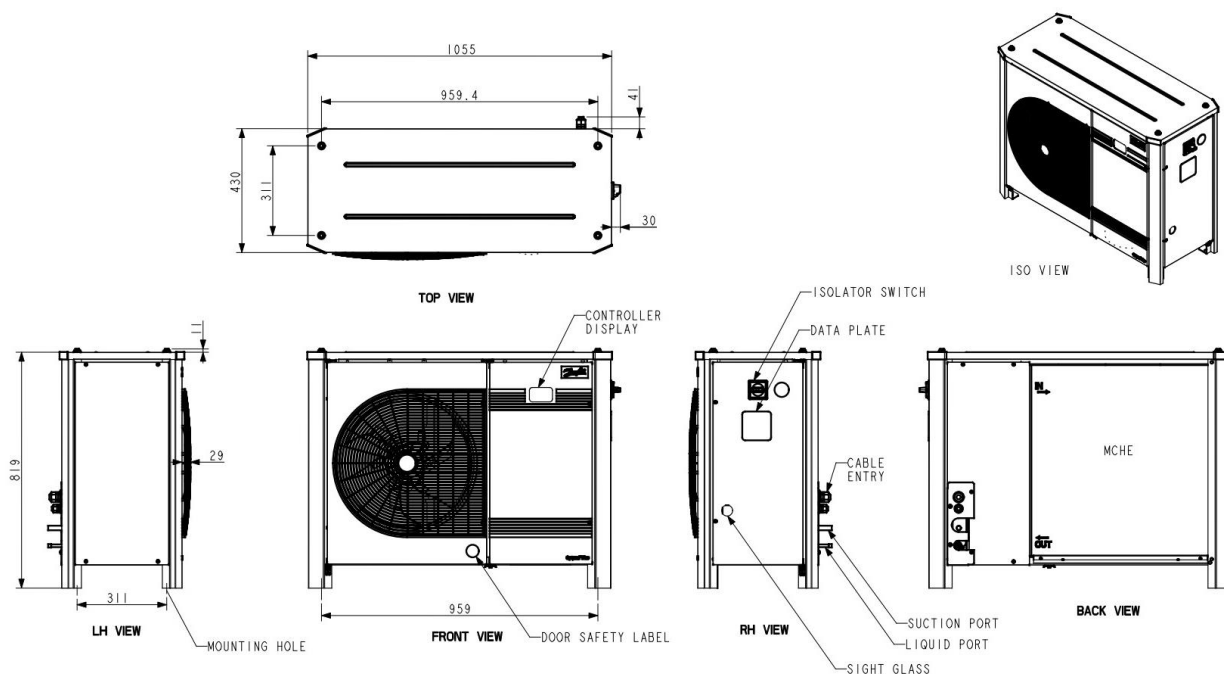




Danfoss Optyma™ Plus, 114X4241 OP-MPTM034DSP00G

Gross weight	70 Kg	Low value of voltage range at 60Hz [V]	187 V
Net weight	54 Kg	MCC	17.5 A
Volume	651.84 Liter	Min fuse rating [A]	20 A
Air flow @ 50Hz [m³/h]	3300 m³/h	Model number	OP-MPTM034DSP00G
Applications	MBP	No. of phases (compressor)	1
Approval	CE	No. of phases (fan)	1
Capacity control	Fixed speed	Number of fans	1
Compressor model	DS34TB	Phase	1
Compressor power supply [V]	230/1/50	Product group	Condensing Units
Condenser Coil Internal Volume	0.58 mm³	Product Name Description	Package unit
Condenser type	D7	Receiver approval	CE
Connection type	Solder		EAC
Description	OP-MPTM034DSP00G	Receiver volume [L]	3.4 L
Electrical code	G	Refrigerants	R404A
Family	Optyma™ Plus		R448A
Fan blade size [mm]	450 mm		R449A
Fan cowl/grill type	H2		R452A
Fan current @ 50Hz [A]	0.47 A		R454C
Fan diameter [mm]	450 mm		R455A
Fan power consumption @ 50Hz [W]	110 W	Segment usage	Medium Back Pressure
Fan power output @ 50Hz [W]	68 W	Sound pressure level 50Hz (@10 m distance) [db(A)]	38 dBA
Fan power supply [V/Ph/Hz]	230/1/50	Speed Platform	Fixed-speed
Frequency [Hz]	50 Hz	Suction connection size [in]	1/2 in
High value of nominal voltage at 60Hz [V]	255 V	Type	Optyma™ Plus P00 (A2L)
In scope of WEEE and contain batteries	No	Version	P00
Liquid line connection [in]	1/2 in	Voltage 50Hz [V]	187 V
		Voltage 50Hz [V] [Max]	255 V

DIMENSIONS



Performance data R404A/R507 LBP

Model	Code	version	Refrigerant group	electrical code (1)	tamb [°C]	Cooling capacity Q [KW] (2)							EcoDesign (3)		Min Fuse rating gL/gG(A)	Sound press. level 10m dB(A)
						Evaporating Temperature (Mid point) [°C]							COP	SEPR		
						-20° C	-15° C	-10° C	-5° C	0° C	5° C	10° C				
OP-MPTM034DS	114X4241	P00	A1 + A2L	G	27	1.68	2.31	3.04	3.87	4.81	5.84	-	1.71	-	20	39
					32	1.47	2.06	2.74	3.52	4.4	5.38	-				
					38	1.21	1.74	2.37	3.08	3.9	4.81	-				
					43	0.98	1.48	2.05	2.71	3.47	4.32	-				