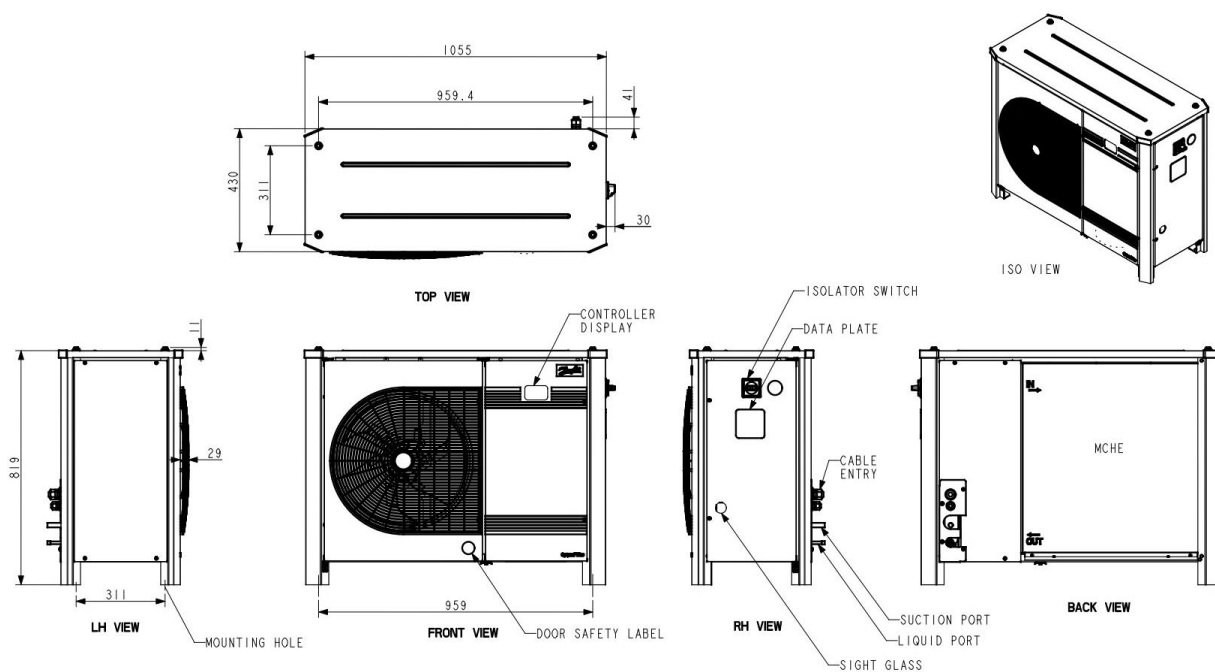




Danfoss Optyma™ Plus, 114X4242 OP-MPTM034DSP00E

Gross weight	99 Kg	Low value of nominal voltage at 50Hz [V]	380 V
Net weight	70 Kg	MCC	6.4 A
Volume	628.992 Liter	Min fuse rating [A]	8 A
Air flow @ 50Hz [m ³ /h]	3300 m ³ /h	Model number	OP-MPTM034DSP00E
Applications	MBP	No. of phases (compressor)	3
Approval	CE	No. of phases (fan)	1
Capacity control	Fixed speed	Number of fans	1
Compressor model	DS34T3	Phase	3
Compressor power supply [V]	400/3/50	Product group	Condensing Units
Condenser Coil Internal Volume	0.58 m ³	Product Name Description	Package unit
Condenser type	D7	Receiver approval	CE
Connection type	Solder		EAC
Description	OP-MPTM034DSP00E	Receiver volume [L]	3.4 L
Electrical code	E	Refrigerants	R404A
Family	Optyma™ Plus		R448A
Fan blade size [mm]	450 mm		R449A
Fan cowl/grill type	H2		R452A
Fan current @ 50Hz [A]	0.47 A		R454C
Fan diameter [mm]	450 mm		R455A
Fan power consumption @ 50Hz [W]	110 W	Segment usage	Medium Back Pressure
Fan power output @ 50Hz [W]	68 W	Sound pressure level 50Hz (@10 m distance) [db(A)]	38 dBA
Fan power supply [V/Ph/Hz]	230/1/50	Suction connection size [in]	1/2 in
Frequency [Hz]	50 Hz	Type	Optyma™ Plus P00 (A2L)
High value of nominal voltage at 50Hz [V]	440 V	Version	P00
In scope of WEEE and contain batteries	No	Voltage 50Hz [V]	380 V
Liquid line connection [in]	1/2 in	Voltage 50Hz [V] [Max]	440 V

DIMENSIONS



Performance data R404A/R507 LBP

Model	Code	version	Refrigerant group	electrical code (1)	tamb [°C]	Cooling capacity Q [kW] (2)							EcoDesign (3)		Min Fuse rating gL/gG(A)	Sound press. level 10m dB(A)
						Evaporating Temperature (Mid point) [°C]							COP	SEPR		
						-20° C	-15° C	-10° C	-5° C	0° C	5° C	10° C				
OP-MPTM034DS	114X4242	P00	A1 + A2L	E	27	1.72	2.35	3.09	3.94	4.89	5.94	-	1.76	-	8	39
					32	1.50	2.09	2.79	3.58	4.47	5.47	-				
					38	1.23	1.77	2.41	3.14	3.96	4.89	-				
					43	1.00	1.50	2.09	2.76	3.53	4.40	-				