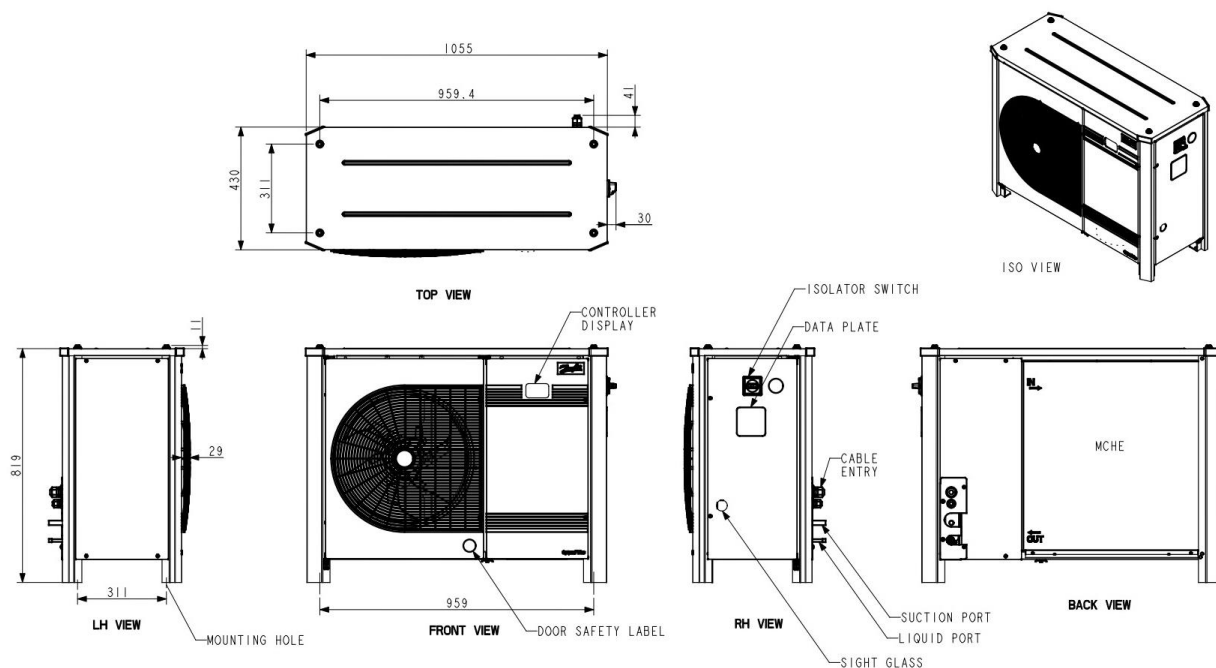




## Danfoss Optyma™ Plus, 114X4238 OP-MPTM026DSP00G

Gross weight	106 Kg	Low value of voltage range at 60Hz [V]	187 V
Net weight	67 Kg	MCC	11.5 A
Volume	635.544 Liter	Min fuse rating [A]	16 A
Air flow @ 50Hz [m <sup>3</sup> /h]	3300 m <sup>3</sup> /h	Model number	OP-MPTM026DSP00G
Applications	MBP	No. of phases (compressor)	1
Approval	CE	No. of phases (fan)	1
Capacity control	Fixed speed	Number of fans	1
Compressor model	DS26TB	Phase	1
Compressor power supply [V]	230/1/50	Product group	Condensing Units
Condenser Coil Internal Volume	0.58 mm <sup>3</sup>	Product Name Description	Package unit
Condenser type	D7	Receiver approval	CE
Connection type	Solder		EAC
Description	OP-MPTM026DSP00G	Receiver volume [L]	3.4 L
Electrical code	G	Refrigerants	R404A
Family	Optyma™ Plus		R448A
Fan blade size [mm]	450 mm		R449A
Fan cowl/grill type	H2		R452A
Fan current @ 50Hz [A]	0.47 A		R454C
Fan diameter [mm]	450 mm		R455A
Fan power consumption @ 50Hz [W]	110 W	Segment usage	Medium Back Pressure
Fan power output @ 50Hz [W]	68 W	Sound pressure level 50Hz (@10 m distance) [db(A)]	38 dBA
Fan power supply [V/Ph/Hz]	230/1/50	Speed Platform	Fixed-speed
Frequency [Hz]	50 Hz	Suction connection size [in]	1/2 in
High value of nominal voltage at 60Hz [V]	255 V	Type	Optyma™ Plus P00 (A2L)
In scope of WEEE and contain batteries	No	Version	P00
Liquid line connection [in]	1/2 in	Voltage 50Hz [V]	187 V
		Voltage 50Hz [V] [Max]	255 V

## DIMENSIONS



## Performance data R404A/R507 LBP

Model	Code	version	Refrigerant group	electrical code (1)	tamb [°C]	Cooling capacity Q [KW] (2)							EcoDesign (3)		Min Fuse rating gL/gG(A)	Sound press. level 10m dB(A)
						Evaporating Temperature (Mid point) [°C]							COP	SEPR		
						-20°C	-15°C	-10°C	-5°C	0°C	5°C	10°C				
OP-MPTM026DS	114X4238	P00	A1 + A2L	G	27	1.73	2.18	2.67	3.18	3.74	4.32	-	1.75	-	16	38
					32	1.53	1.94	2.39	2.87	3.39	3.94	-				
					38	1.29	1.66	2.06	2.50	2.97	3.48	-				
					43	1.10	1.42	1.78	2.18	2.62	3.10	-				